



RoofGuard – Supplemental instructions for Standing Seam Installation

Warnings and Conditions

This system is part of a personal fall protection system. The user must read and follow all guidelines in this manual. These instructions must be provided to the user of this system. The user must read and understand these instructions or have them explained to them prior to using the system. Alterations or misuses of this system or failure to follow instructions may result in serious injury or death. If you have any questions on the use or care of this system please contact Liftsafe Fall Protection Inc. at 1-800-977-2005.

1 - Description of system

The RoofGuard Classic Standing Seam System is designed to secure to the metal deck standing seam profile without penetration of the panels. An aluminum plate is secured to the standing seam profile with clamps, and the base-flange fitting is bolted to the aluminum plate between the seams.

The systems can run parallel to the seams (up/down the roof slope), or perpendicular to the seams (side-to-side).

1.1 Definitions:

Aluminum Plate – Base of the system that is secured to the panel seams in two locations.

Standing Seam Clamp – bolts to the Aluminum plate and has a “C” shape that grabs around the roof panel seam and locks with a round headed set screw

2 Setup Requirements

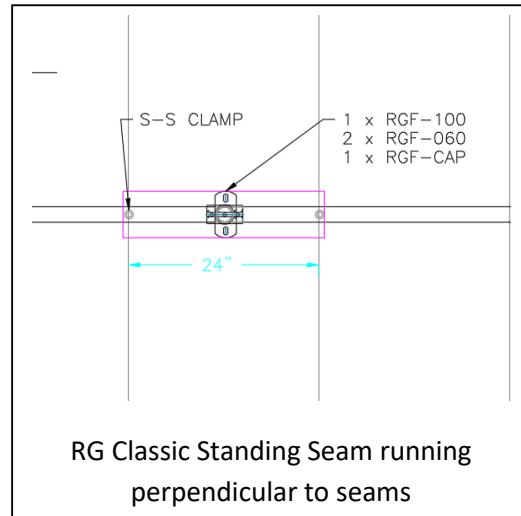
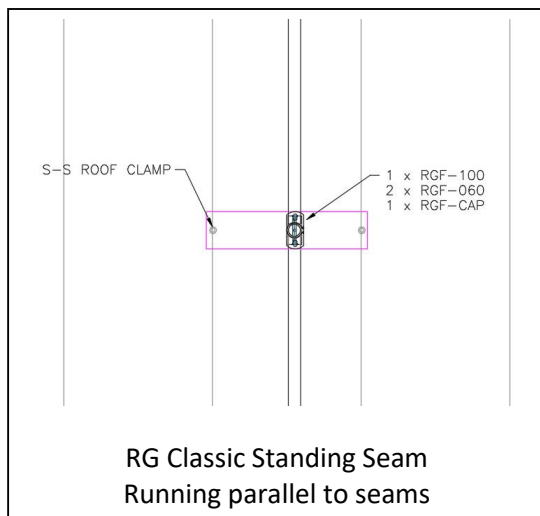
Roofguard Classic Standing Seam (S-S) systems are designed to secure to the roof panel seams – sharing the load of one railing post between two panel ridges. Posts are typically centered between the seams for consistency. As most standing seam profiles utilize a 24” center-to-center spacing, horizontal rails are typically 6-feet on center.

The railing along the hazard edge will be braced with the standard 6-foot tie-back to ensure workers are at least 6-feet from the roof edge when moving beyond the edge of the railing.

The RG Classic S-S System is designed for ‘flat’ roofs (roughly 5 degrees or 1:12 pitch). Setup should be done with all workers following the safety regulations of their local jurisdiction.

3 Installation of Standing Seam Base Plate

1. Layout the system to determine the locations of the posts. For each post, an aluminum plate with 2 Standing Seam Clamps will be required.
2. The two standing seam clamps will be secured to the roof seam, and then bolted through the aluminum plate.
3. Each post will be secured to the plate with the RGF-100, two-bolt flange, utilizing two ½" fasteners with locking hardware.
4. To allow for the diameter of the posts and remain on 6-foot center, the horizontal rails will need to be 70" long each.
5. Follow the standard RoofGuard setup for the remainder of the setup.



4 Warranty

Liftsafe Fall Protection Warranty Equipment offered by Liftsafe Fall Protection (LFP) is warranted against factory defects in workmanship and materials for a period of one year from date of installation or use by the owner, provided that this period shall not exceed 18 months from date of shipment. Upon notice in writing, LFP will promptly repair or replace all defective items. LFP reserves the right to elect to have any defective item returned to its plant for inspection before making a repair or replacement. This warranty does not cover equipment damages resulting from abuse, damage in transit, or other damage beyond the control of LFP. This warranty applies only to the original purchaser, and is the only one applicable to our products, and is in lieu of all other warranties, expressed or implied.